

# FloaTek™ Two-Wire Float Level Transmitter

## Features

- ✓ Rugged 316 stainless steel float, guide and 2" NPT mounting plug
- ✓ Compatible with Flowline remote indicator and relay controllers
- ✓ Custom assembled to your exact guide length and span dimensions

## Description

Offered in FM and CSA approved explosion proof or general purpose configurations, the two-wire float transmitter provides contact level measurement up to 6' or 1.8m, and is ideally suited for relatively clean water, light oil or diluted corrosive liquids. The transmitter is typically selected for high temperature and/or pressure process tank applications located within a classified hazardous or general purpose area. Media examples include hot boiler water and cooking oil. The XP transmitter is provided with a rugged cast aluminum enclosure rated NEMA 7P.



## Specifications

Range:	5" to 72" (12.7 cm to 1.8m)
Accuracy:	0.25" over span in water
Specific gravity:	0.75 minimum
Orientation:	± 30° from vertical
Supply voltage:	LV50: 10 to 30 VDC LV51: 10 to 40 VDC
Loop resist.:	600 Ohms @ 24 VDC
Signal output:	4-20 mA, two-wire
Signal invert:	4-20 or 20-4 mA
Calibration:	None, fixed span
Process temp.:	F: -40° to 230° C: -40° to 110°
Electronic temp.:	F: -40° to 160° C: -40° to 71°
Pressure:	300 psi maximum
Enclosure rating:	LV50: NEMA 4X (IP65) LV51: NEMA 7 (IP65)
Installed height:	LV50: 5.2" (13.2 cm) LV51: 6.2" (15.7 cm)
Encl. material:	LV50: PP, UL94VO LV51: Aluminum
Guide/float mat.:	316 SS
Process mount:	2" NPT
Conduit entrance:	Single, 1/2" NPT
Classification:	LV50: General purpose LV51: Explosion proof
Approvals:	LV50: UL, CSA LV51: FM: Class I, Division I, Groups B, C & D; Class II, Groups E, F and G
CE compliance:	EN 50082-2 immunity EN 55011 emission

**FloaTek**

## Ordering

LV5  -5001-  -  -

### Approval / classification

- 0 UL, CSA / GP  
1 FM / XP

### Dimensions (1) (2) (3)

- A Specify (Required)  
B Specify (Required)  
C Specify (Optional)

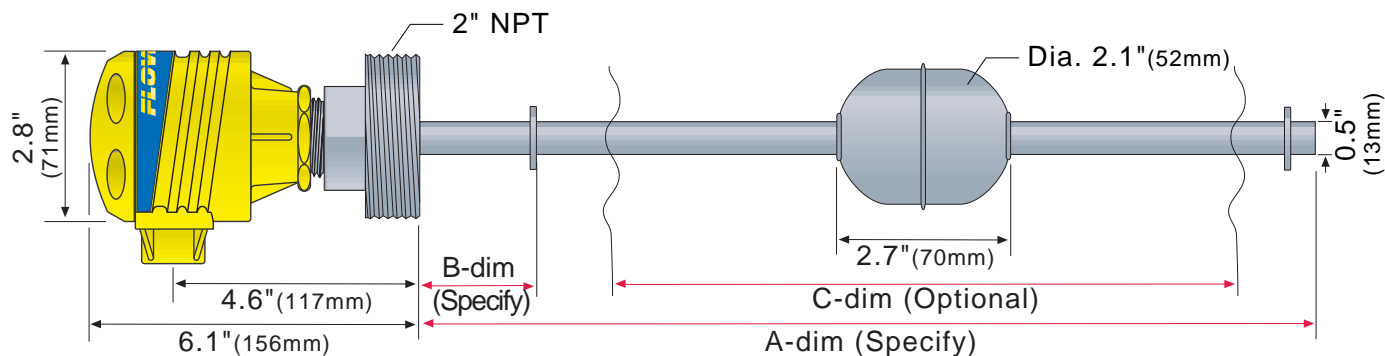


### Ordering Notes

- 1) Specify the A, B, and C dimensions at the end of the part number. The dimensions may be specified in 1/2" (1.3 cm) increments.
- 2) The guide length or A-dimension may be specified from 12" to 72" (30 cm to 1.8m). The minimum span or B-dimension may be specified no less than 0.25" (0.7 cm). The maximum offset or C-dimension may be specified no greater than the A-dimension minus the B-dimension and minus 3.5" (8.9 cm) (ie. C-dim = A-dim - B-dim - 3.5" (8.9 cm)).
- 3) To calculate the guide adder, round up the A-dimension to the next inch (2.5 cm).

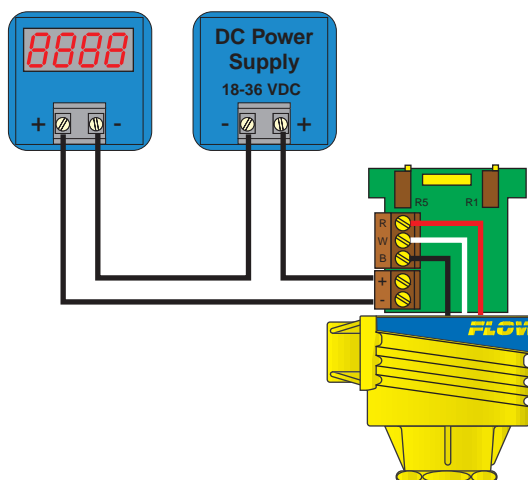
# FloaTek™ Two-Wire Float Level Transmitter

## Float-Point Profile - (4 switch configuration)

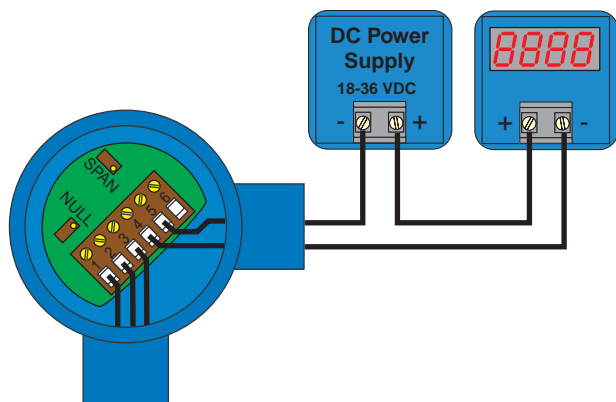


Specifications are subject to change without notice.

### LV50 Series Wiring



### LV51 Series Wiring



### Hazardous



The FM and CSA approved explosion proof configuration is provided with a cast aluminum enclosure for use in Class I, Division I, Groups B, C & D; Class II, Groups E, F and G hazardous area applications.

### Enclosure Dimension

